

**17" or 18.1" LCD MONITOR, SIC1800**

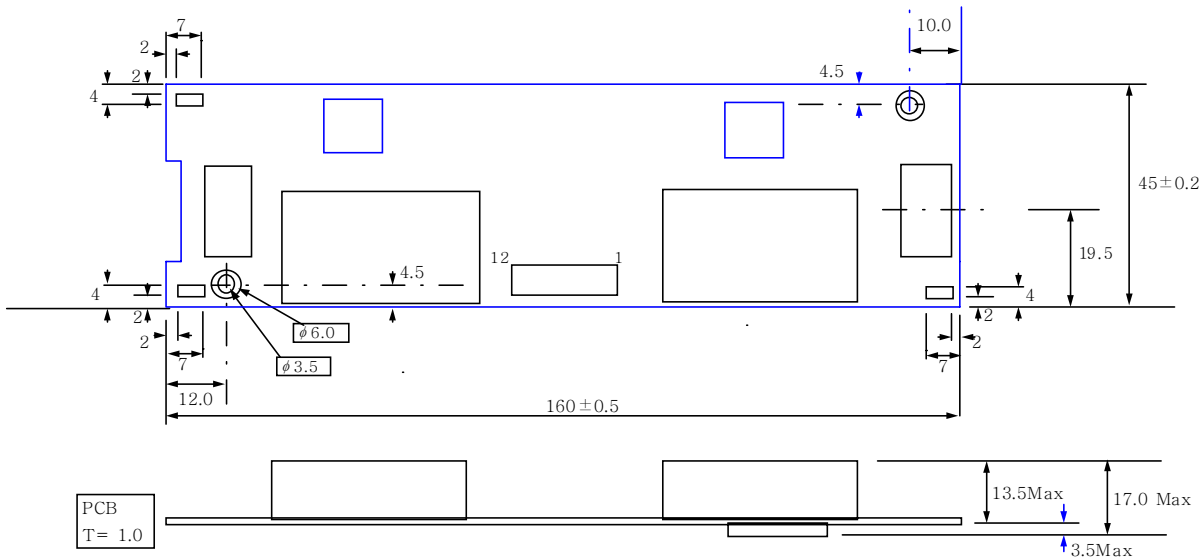
**FEATURES**

- Dimming range : less than 50%
- Application is 4-lamps
- Output open and short circuit conditions :  
→ No damage, heat generation, or other difficulties.
- Built-in fuse
- Apply to 17 and 18.1 inch LCD panels.

**TEMPERATURE AND HUMIDITY RANGES**

Operating Temp range	0 ~ 50°C
Storage Temp. range	-30 ~ 80 °C
Humidity range	90(%)RH

**MECHANICAL FEATURE**



**Control Signal**

Pin #	Symbol	Status	Action	Remarks
CN1 #4	BKLT_ON	High	LAMP(CCFL)-ON	2.4 ~ 5.25V
		Low	LAMP(CCFL)-OFF	0.8V Max

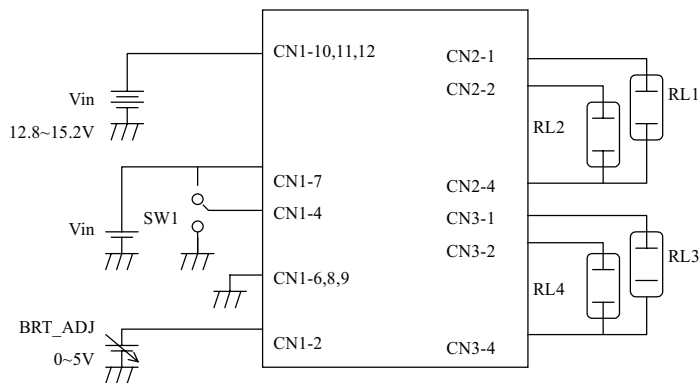
# INVERTERS

## SIC1800

### Output characteristic

Item	Symbol	Condition				Spec			Unit
		Vin(V) (DC-IN)	Vin2 (V)	BRT- ADJ	RL1,2,3,4 (k $\Omega$ )	Min	Typ	Max	
Output Current	Io1(Max)	12.8~15.2	5	0V	130	12.2	13.0	13.8	mArms
	Io1(Min)	12.8~15.2	5	5V	130	3.4	4.2	5.0	
	Io2(Max)	12.8~15.2	5	0V	130	12.2	13.0	13.8	
	Io2(Min)	12.8~15.2	5	5V	130	3.4	4.2	5.0	
Input Current	Iin	14	5	0V	130	-	1.7	2.0	ADC
Frequency	F(1)	14	5	0V	130	41	48	55	KHz
Frequency	F(2)	14	5	0V	130	41	48	55	KHz
Open circuit output voltage	Vo(1)	12.8~15.2	5	0V	$\infty$	1.7	-	2.3	KVrms
	Vo(2)	12.8~15.2	5	0V	$\infty$	1.7	-	2.3	KVrms
Dimming Ratio	DR	14	5	0V	130	-	20	-	%

### Test Circuit(Dimmer with voltage change)



### INTERFACE

#### CN1 Connector : 53261-1290(Molex)

Pin #	Symbol	Remarks
CN1-1	N.C.	No Connection
CN1-2	BRT_ADJ	0 ~ 5V(0V : Max, 5V : Min)
CN1-3,5	N.C.	No Connection
CN1-4	BL On/Off	CCFL Drive Signal(Active High)
CN1-6,8,9	GND	GND
CN1-7	5V	Vdd
CN1-10,11,12	DC-IN	DC Input Power (14V)

#### CN2 Connector : SM04(4.0)B-BHS-1-TB(JST)

Pin #	Symbol	Remarks
CN2-1	Hot	High 1
CN2-2	Hot	High 2
CN2-3	N.C.	
CN2-4	Cold	Low

#### CB3 Connector SM04(4.0)B-BHS-1-TB(JST)

Pin #	Symbol	Remarks
CN3-1	Hot	High 1
CN3-2	Hot	High 2
CN3-3	N.C.	
CN3-4	Cold	Low