

**14 & 15" LCD MONITOR, SIC141**

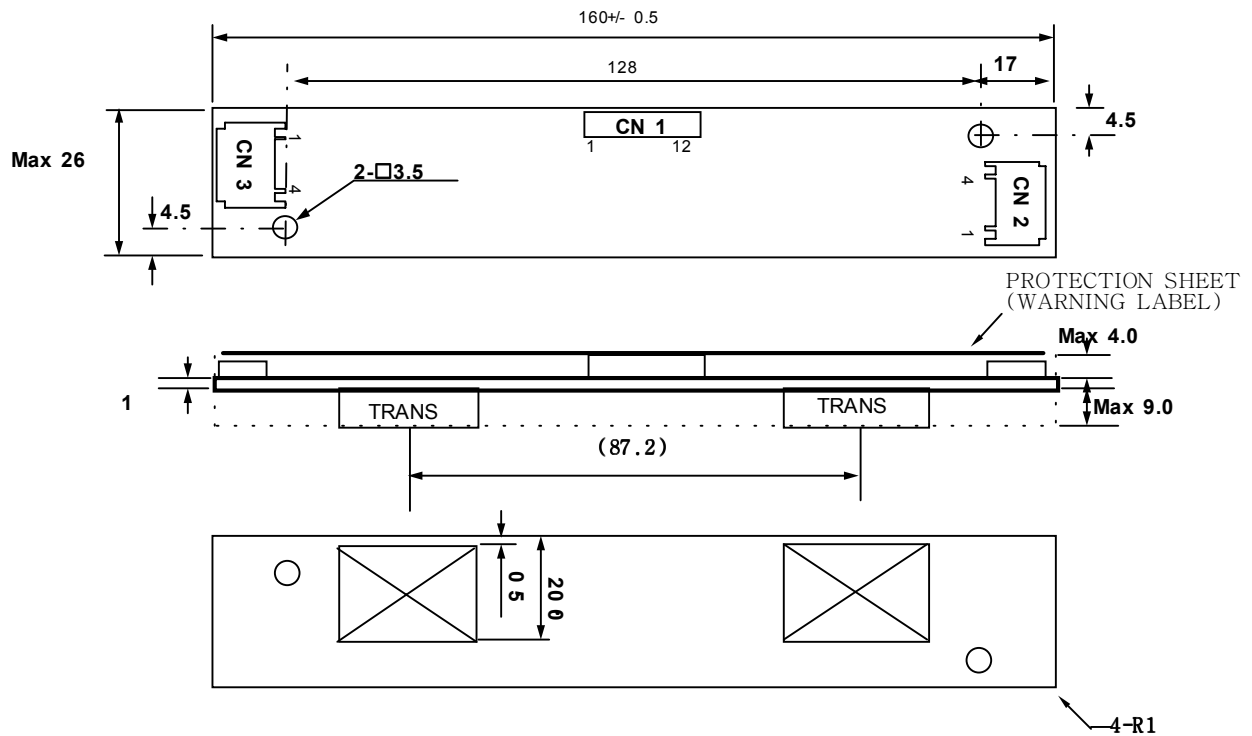
**FEATURES**

- Dimming range : less than 50%
- Application is 4-lamps
- Output open and short circuit conditions :  
→ No damage, heat generation, or other difficulties.
- Built-in fuse
- Apply to 14 & 15-inch LCD panels.

**TEMPERATURE AND HUMIDITY RANGES**

Operating Temp range	0 ~ 50°C
Storage Temp. range	-30 ~ 80 °C
Humidity range	90(%)RH

**MECHANICAL FEATURE**



**Control Signal**

Pin #	Symbol	Status	Action	Remarks
CN1 #4	BKLT_ON	High	LAMP(CCFL)-ON	2.4 ~ 5.25V
		Low	LAMP(CCFL)-OFF	0.8V Max

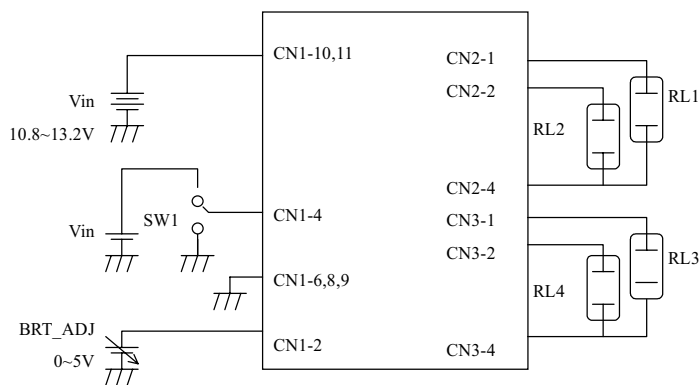
# INVERTERS

## SIC141

### Output characteristic

Item	Symbol	Condition				Spec			Unit
		Vin(V) (DC-IN)	Vin2 (V)	BRT- ADJ	RL1,2,3,4 (kΩ)	Min	Typ	Max	
Output Current	Io1(Max)	10.8~13.2	5	0V	120	10.2	11.2	12.2	mArms
	Io1(Min)	10.8~13.2	5	5V	240	3	4	5	
	Io2(Max)	10.8~13.2	5	0V	120	10.2	11.2	12.2	
	Io2(Min)	10.8~13.2	5	5V	240	3	4	5	
Input Current	Iin	12	5	0V	120	1.2	1.7	1.9	ADC
Frequency	F(1)	12	5	0V	120	48	55	62	KHz
Frequency	F(2)	24	5	0V	120	48	55	62	KHz
Open circuit output voltage	Vo(1)	10.8~13.2	5	0V	∞	1.4	-	2.1	KVrms
	Vo(2)	10.8~13.2	5	0V	∞	1.4	-	2.1	KVrms
Dimming Ratio	DR	12	5	0V	120	50		%	

### Test Circuit(Dimmer with voltage change)



### INTERFACE

#### CN1 Connector : 53261-1290(Molex)

Pin #	Symbol	Remarks
CN1-1	N.C.	No Connection
CN1-2	BRT_ADJ	0 ~ 5V(0V : Max, 5V : Min)
CN1-3,5	N.C.	No Connection
CN1-4	BL On/Off	CCFL Drive Signal(Active High)
CN1-6,8,9	GND	GND
CN1-7	N.C.	No Connection
CN1-10,11	DC-IN	DC Input Power (12V)
CN1-12	N.C.	No Connection

#### CN2 Connector :

##### SM04(4.0)B-BHS-1-TB(JST)

Pin #	Symbol	Remarks
CN2-1	Hot	High 1
CN2-2	Hot	High 2
CN2-3	N.C.	
CN2-4	Cold	Low

#### CB3 Connector

##### SM04(4.0)B-BHS-1-TB(JST)

Pin #	Symbol	Remarks
CN3-1	Hot	High 1
CN3-2	Hot	High 2
CN3-3	N.C.	
CN3-4	Cold	Low