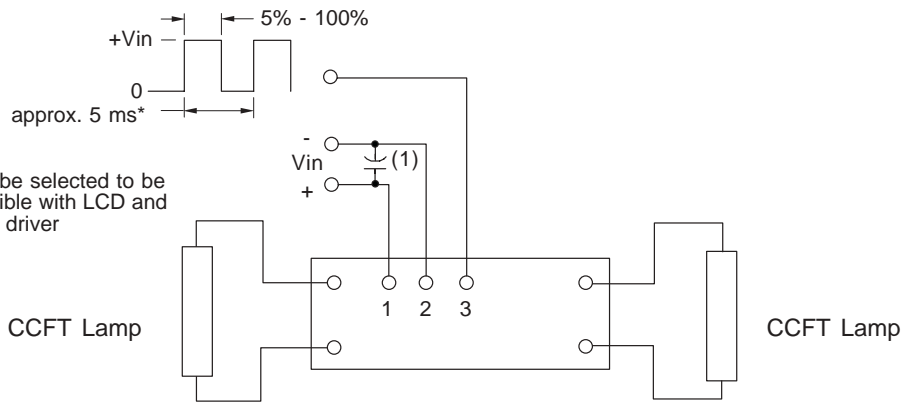


K1958

### Dimming Option (valid when the "C" jumper is removed)



\* should be selected to be compatible with LCD and display driver

Pulse-Width Modulation Controlled

\* Note 1 - Input by-pass capacitor (25uf - 100uf) may be required to reduce reflected ripple.



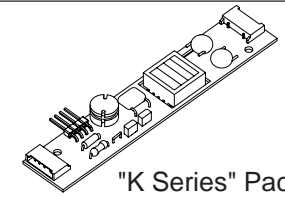
**Endicott Research Group, Inc.**  
2601 Wayne St., Endicott NY 13760  
607-754-9187



**Endicott Research Group, Inc.**  
2601 Wayne St., Endicott NY 13760  
607-754-9187 Fax 607-754-9255  
<http://www.ergpower.com>

K1958

### 8m Class 2 Tube DC to AC Inverter



"K Series" Package

### Specifications and Applications Information

09/06/02

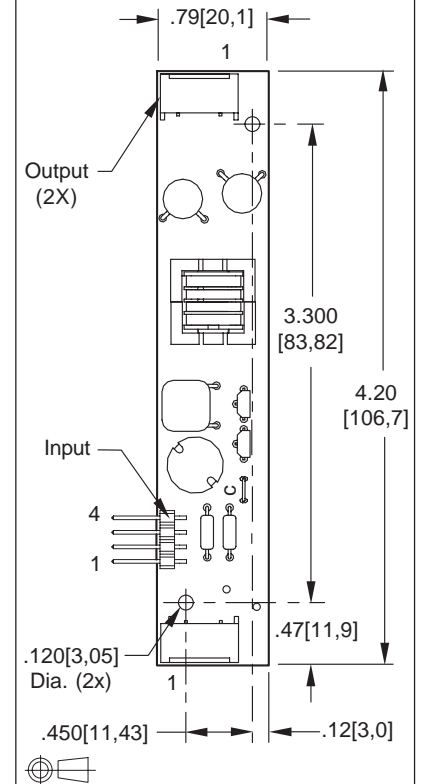
Preliminary

The ERG K1958 (**8m Class**) low profile dc to ac inverter is specifically designed to power the Sharp LQ64D341 LCD display module to a moderate brightness level from a +12 volt dc source.

This low profile inverter features:

- ✓ Less Than 8 mm in Height
- ✓ LCD Module Specific
- ✓ Display Compatible Output Connector
- ✓ Firm Specifications
- ✓ Application Information
- ✓ Designed, Manufactured and Supported in the USA
- ✓ Custom Input and Output Voltages
- ✓ Flexible System Interface
- ✓ Notebook Display Head Compatible

#### Package Configuration



#### Pin Descriptions

Input Connector	Output Connectors
4 pins are 0.315" [8,00] Long, 0.025" [0,63] Square and are on 0.100" [2,54] Centers.	JST SM02(8.0)B-BHS1TB
J1-1 Vin(+) J1-2 GND J1-3 Control * J1-4 N/C	J2-1 ACout J3-1 ACout J2-2 N/C J3-2 N/C J2-3 ACout J3-3 ACout
* Valid when the "C" Jumper is removed	

# K1958

## Absolute Maximum Ratings

Rating	Symbol	Value	Units
Input Voltage Range	Vin	-0.3 to +13.2	Vdc
Operating Temperature	To	-0 to +70	°C
Storage Temperature	Tstg	-40 to +85	°C

## Recommended Operating Conditions

Rating	Symbol	Value	Units
Input Voltage	Vin	+6 to 13.2	Vdc

## Electrical Characteristics

Unless otherwise noted Vin = 12.00 Volts dc and Ta = 25°C

Characteristic	Symbol	Min	Typ	Max	Units
Input Current	lin	-	.47	.54	Adc
Operating Frequency	Fo	42	48	54	KHz
Minimum Output Voltage	Vout (min)	1200	-	-	Vrms
Efficiency	h	-	77	-	%
Output Current (per tube)	Iout	-	6	-	marms
Output Voltage (When powering a load simulating the referenced display)	Vout	-	360	-	Vrms
Pin3 Input Current Requirement	-	-	6	-	madc

After tube has been allowed to warm-up for 5 minutes.  
External Disable Circuit shown on page 3.

Specifications subject to change without notice.

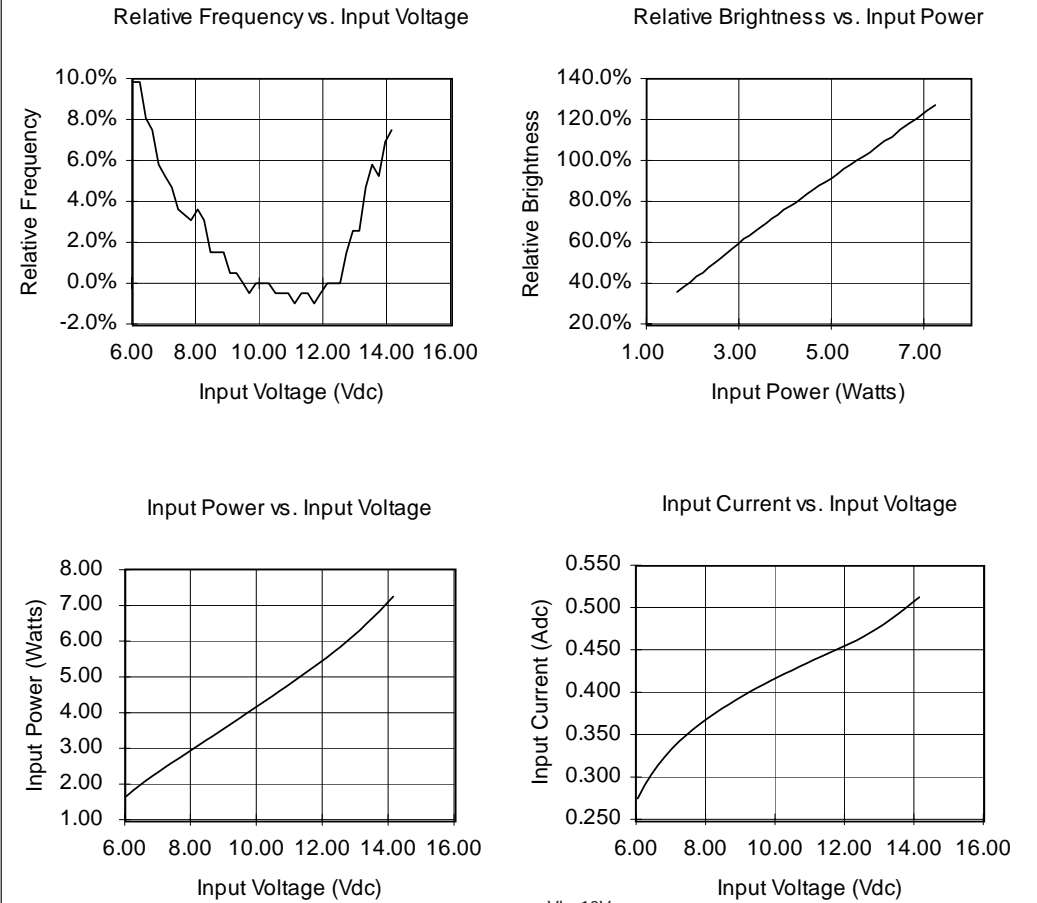


Endicott Research Group, Inc.

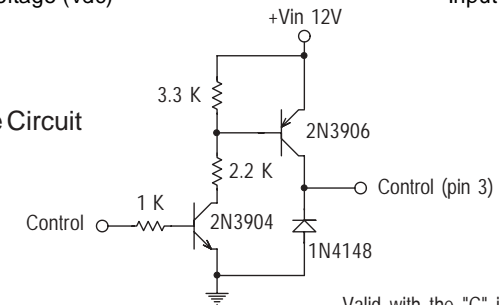
Made in USA

## Typical Performance Curves

# K1958



## Disable Circuit



Valid with the "C" jumper removed



Endicott Research Group, Inc.