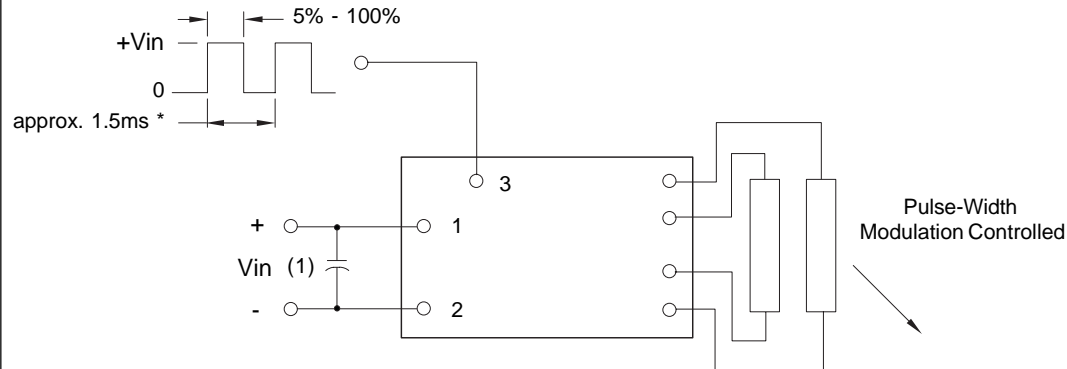


L2337

Dimming Option



* should be selected to be compatible with LCD and display driver.

Note 1 Input by-pass capacitor (25uf - 100uf) may be required to reduce reflected ripple.



Endicott Research Group, Inc.

2601 Wayne St., Endicott NY 13760
607-754-9187

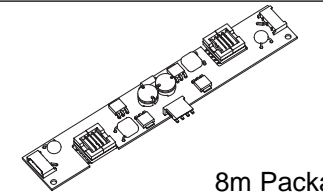


Endicott Research Group, Inc.

2601 Wayne St., Endicott NY 13760
607-754-9187 Fax 607-754-9255
<http://www.ergpower.com>

L2337

8m Class
DC to AC Inverter



8m Package

Specifications and Applications Information

02/11/2000

Preliminary

The ERG L2337 (8m Class) low profile dc to ac inverter is specifically designed to power the Sharp LQ15X01/X01W LCD display module to a moderate brightness level from a +12 volt dc source.

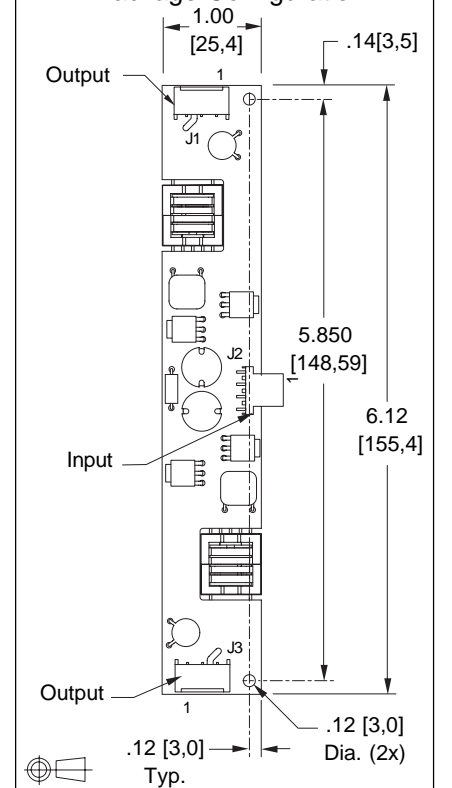
This low profile inverter features:

- ✓ Less Than 8 mm in Height
- ✓ LCD Module Specific
- ✓ Display Compatible Output Connector
- ✓ Firm Specifications
- ✓ Application Information
- ✓ Designed, Manufactured and Supported in the USA
- ✓ Custom Input and Output Voltages
- ✓ Flexible System Interface
- ✓ Notebook Display Head Compatible

Pin Descriptions

Input Connector		Output Connectors	
MOLEX 22-05-3041		JST SM02(8.0)B-BHS1TB	
J2-1	Vin	J1-1	ACout
J2-2	GND	J1-4	Common
J2-3	Control		
J2-4	NC	J3-1	ACout
		J3-4	Common

Package Configuration



L2337

Absolute Maximum Ratings

Rating	Symbol	Value	Units
Input Voltage Range	V _{in}	-0.3 to +15	Vdc
Operating Temperature	T _o	0 to +70	°C
Storage Temperature	T _{stg}	-40 to +85	°C

Recommended Operating Conditions

Rating	Symbol	Value	Units
Input Voltage	V _{in}	+10 to 13.2	Vdc

Electrical Characteristics

Unless otherwise noted V_{in} = 12.00 Volts dc and T_a = 25 °C

Characteristic	Symbol	Min	Typ	Max	Units
Input Current	I _{in}	-	0.75	1.00	A _{dc}
Operating Frequency	F _o	32	36	40	KHz
Minimum Output Voltage	V _{out} (min)	1500	-	-	V _{rms}
Efficiency	η	-	88	-	%
Output Current	I _{out}	-	6	-	ma _{rms}
Output Voltage (when Powering the two tube Sharp LQ15X01 display)	V _{out}	-	670	-	V _{rms}
Pin3 Input Current Requirement	-	-	12	-	ma _{dc}

After tube has been allowed to warm-up for 5 minutes
External Disable Circuit shown on page 3.

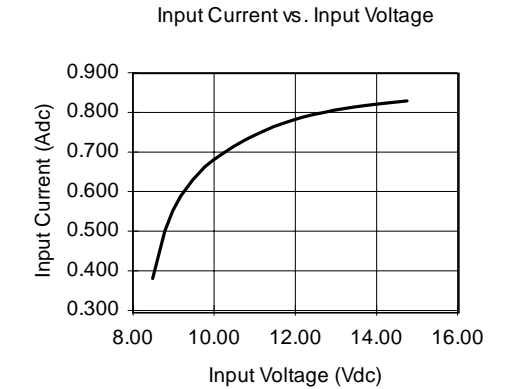
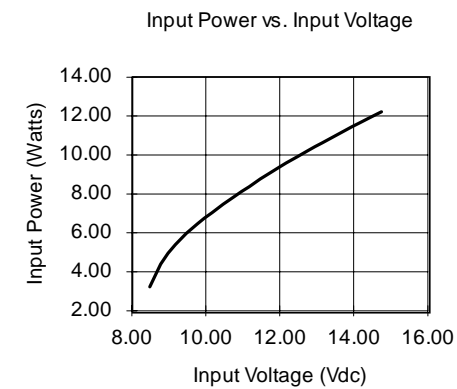
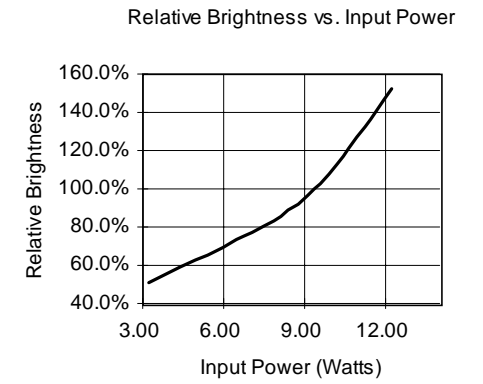
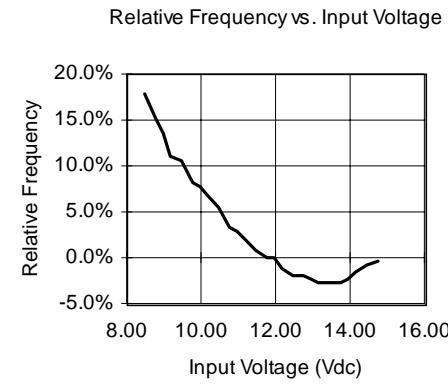
Specifications subject to change without notice.



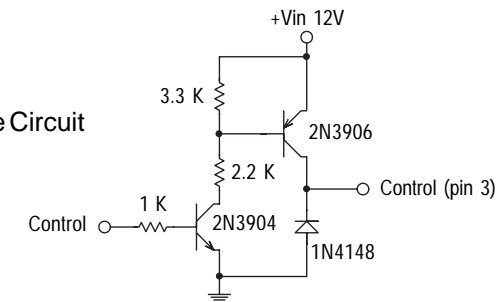
Endicott Research Group, Inc.

Typical Performance Curves

L2337



Disable Circuit



Endicott Research Group, Inc.