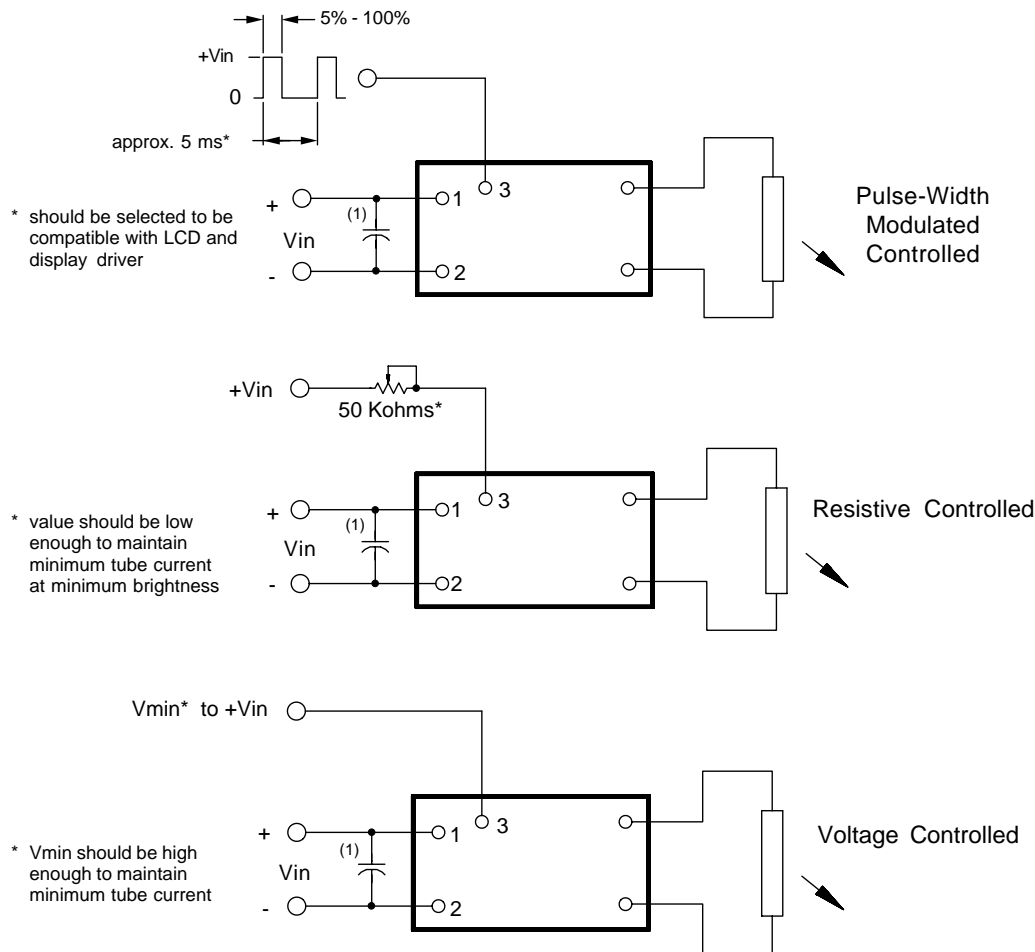


8m122582

3 Dimming Options (valid when the "C" jumper is removed)



* should be selected to be compatible with LCD and display driver

* value should be low enough to maintain minimum tube current at minimum brightness

* Vmin should be high enough to maintain minimum tube current

Note 1 Input by-pass capacitor (25 uf - 100uf) may be required to reduce reflected ripple.



Endicott Research Group, Inc.

2601 Wayne St., Endicott NY 13760

607-754-9187



Endicott Research Group, Inc.

2601 Wayne St., Endicott NY 13760

607-754-9187 Fax 607-754-9255

<http://www.ergpower.com>

Specifications and Applications Information

06/13/01

Preliminary

The ERG 8m122582 (8m Class) low profile dc to ac inverter is specifically designed to power the LG Philips LP104S5 LCD display module to a moderate brightness level from a +12 volt dc source.

This low profile inverter features:

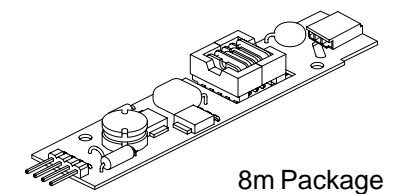
- ✓ Less Than 8 mm in Height
- ✓ LCD Module Specific
- ✓ Display Compatible Output Connector
- ✓ Firm Specifications
- ✓ Application Information
- ✓ Made in U.S.A.
- ✓ Factory Support
- ✓ Custom Input and Output Voltages
- ✓ Flexible System Interface
- ✓ Notebook Display Head Compatible

Pin Descriptions

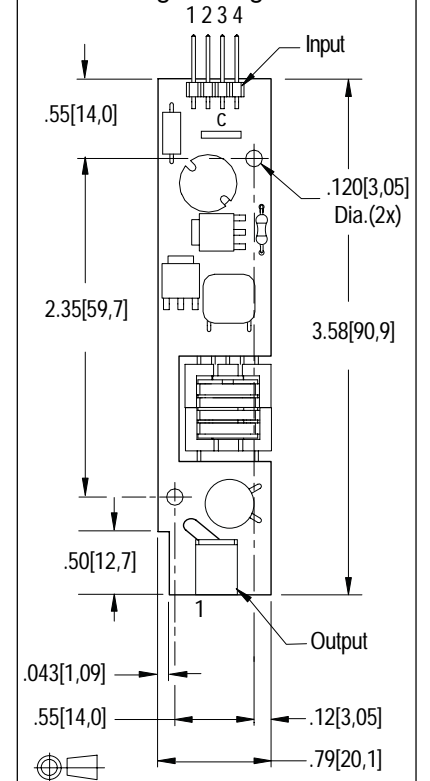
Input Connector	Output Connector
4 pins are 0.315" [8,00] Long, 0.025" [0,63] Square and are on 0.100" [2,54] Centers.	JST SM02B-BHSS-1-TB
Con1-1 Vin(+) Con1-2 GND Con1-3 Control * Con1-4 N/C	Con2-1 ACout Con2-2 ACout
* Valid when the "C" Jumper is removed	

8m122582

8m Class DC to AC Inverter



Package Configuration



8m122582

Absolute Maximum Ratings

Rating	Symbol	Value	Units
Input Voltage Range	Vin	-0.3 to +13.2	Vdc
Operating Temperature	To	-0 to +70	°C
Storage Temperature	Tstg	-40 to +85	°C

Recommended Operating Conditions

Rating	Symbol	Value	Units
Input Voltage	Vin	+6 to 13.2	Vdc

Electrical Characteristics

Unless otherwise noted Vin = 12.00 Volts dc and Ta = 25 °C

Characteristic	Symbol	Min	Typ	Max	Units
Input Current	Iin	-	.310	.375	Adc
Operating Frequency	Fo	39	44	49	KHz
Minimum Output Voltage	Vout (min)	1400	-	-	Vrms
Efficiency	η	-	81	-	%
Output Current	Iout	-	6	-	marms
Output Voltage (When powering a Load simulating the referenced display.)	Vout	-	500	-	Vrms
Pin3 Input Current Requirement	-	-	8	-	madc

After tube has been allowed to warm-up for 5 minutes
External Disable Circuit shown on page 3.

Specifications subject to change without notice.

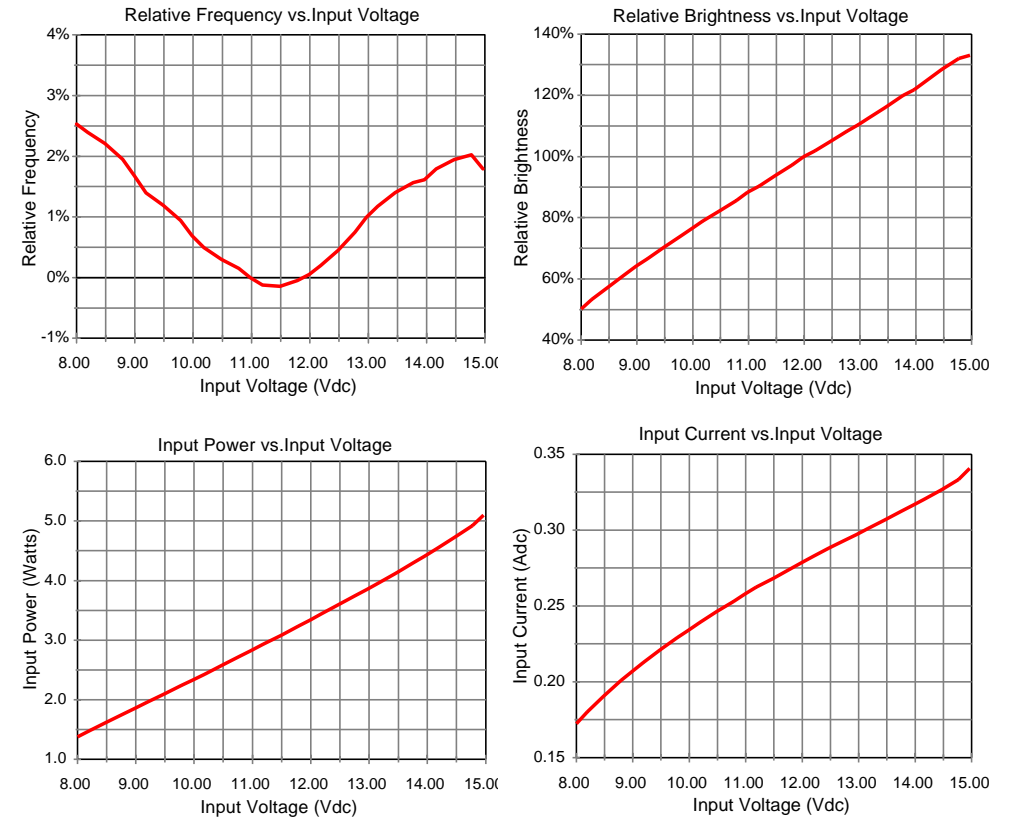


Endicott Research Group, Inc.

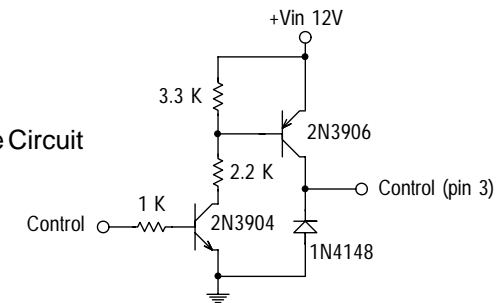
Made in USA

8m122582

Typical Performance Curves



Disable Circuit



Valid with the "C" jumper removed



Endicott Research Group, Inc.